

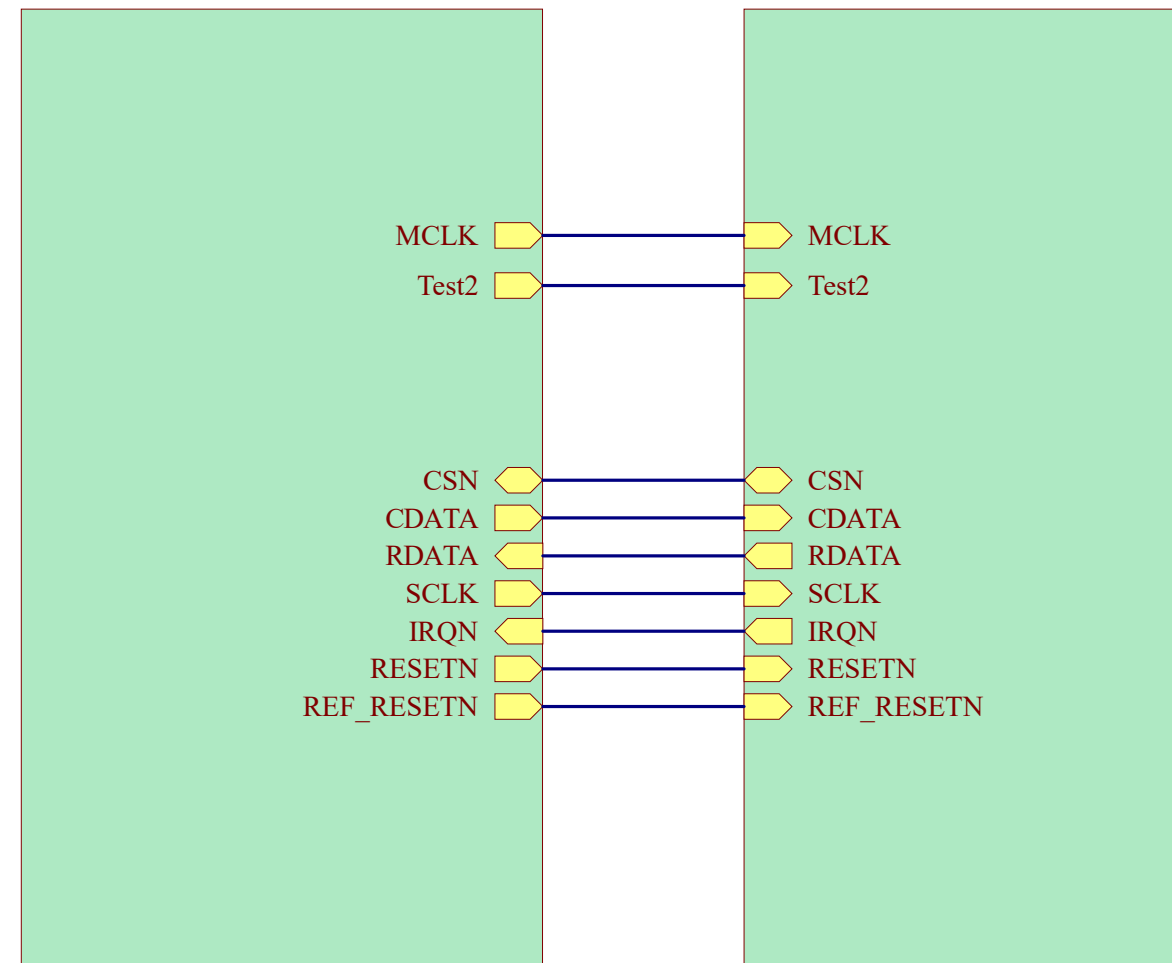
CML Microcircuits

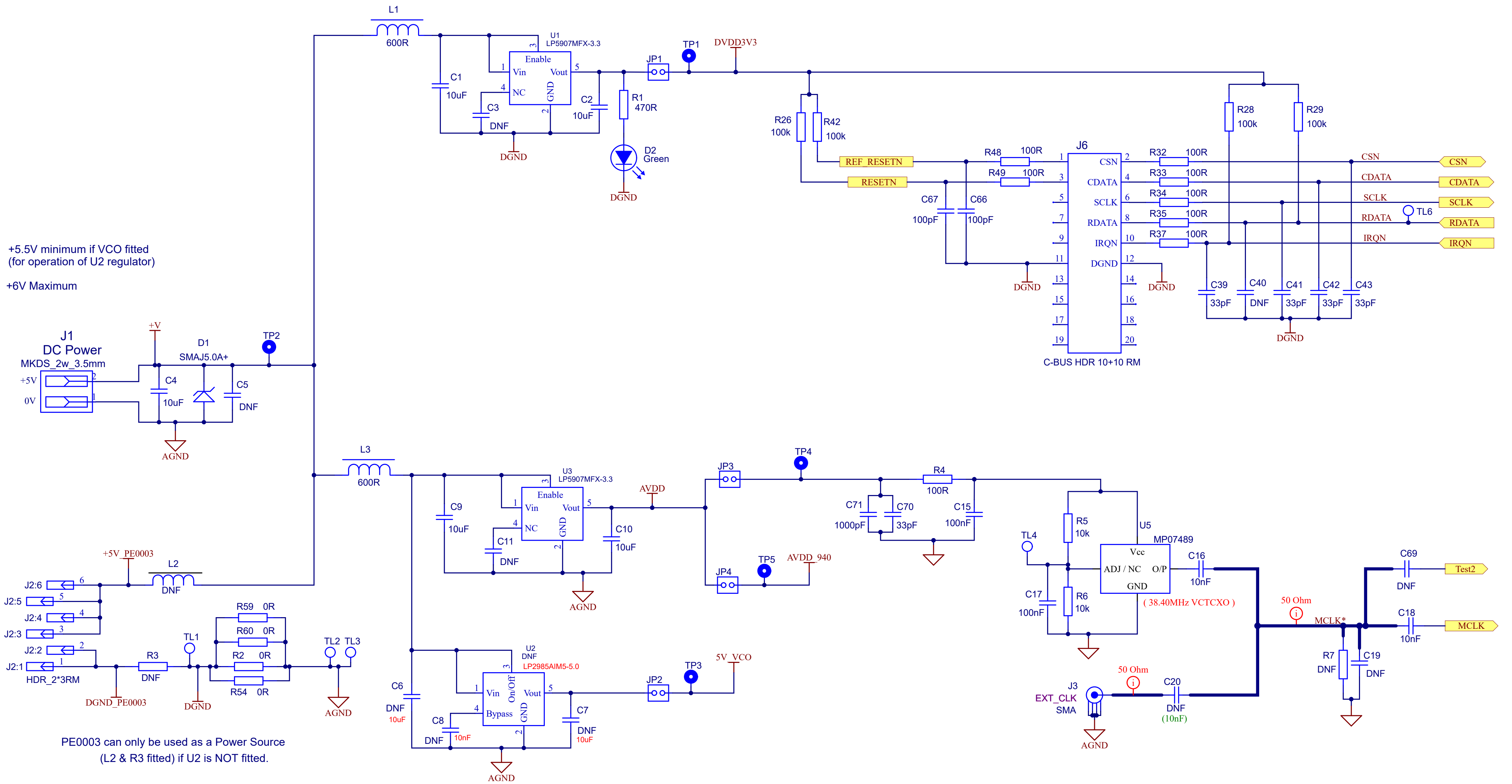
COMMUNICATION SEMICONDUCTORS

High Resolution Circuit Diagrams for EV9400 12 November 2020

EV9400D_Power

EV9400D-CMX940





+5.5V minimum if VCO fitted
(for operation of U2 regulator)

+6V Maximum

PE0003 can only be used as a Power Source
(L2 & R3 fitted) if U2 is NOT fitted.

